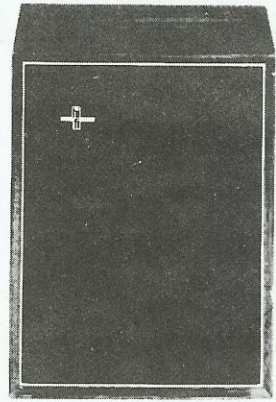


Service  
Service  
Service

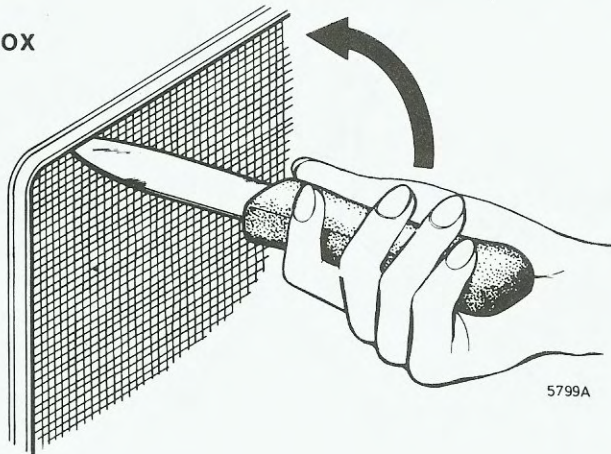


15 litres  
285 x 380 x 210 mm

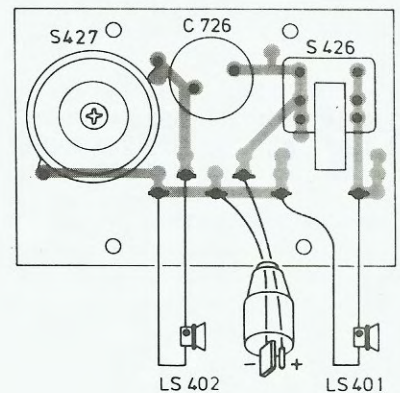
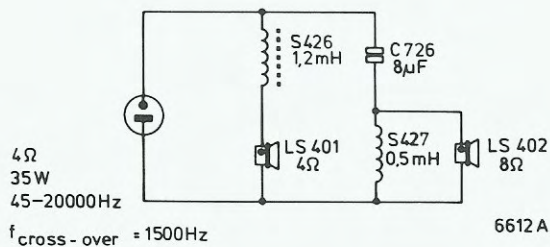
2572A

# Service Manual

TO OPEN L.S. BOX



5799A



-LS-



LS402	8 Ω	4822 240 70009
LS401	4 Ω	4822 240 60064

-S-

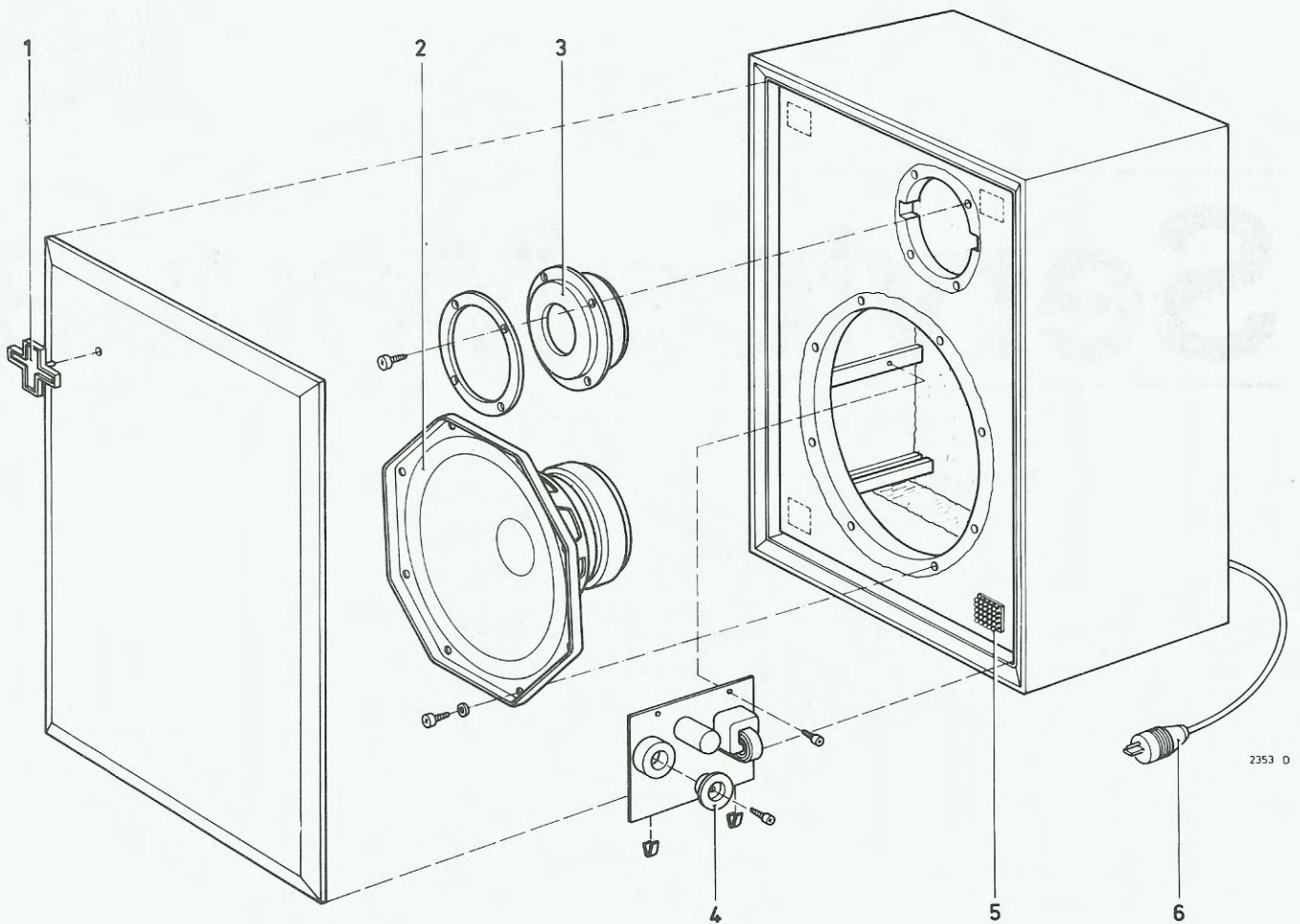


S426	1.2 mH	4822 152 10083
S427	0.5 mH	4822 152 10075

-C-



C726	8 μF	4822 124 40102
------	------	----------------



2353 0

1		4822 459 10443
2	LS401 4 Ω	4822 240 60064
3	LS402 8 Ω	4822 240 70009
4		4822 462 70531
5		4822 426 60055
6		4822 264 30041